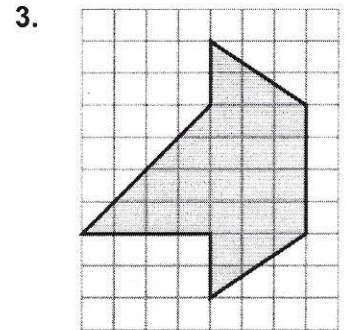
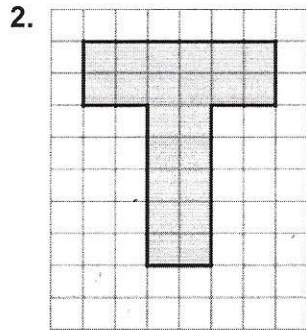
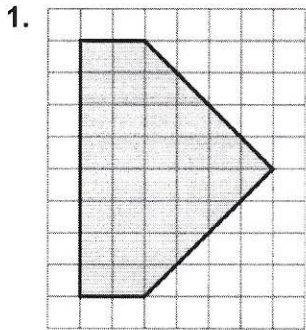


**Extension
4.3**

Practice

Name _____ Period _____

Find the area of the shaded figure.



Find the area of the figure.

